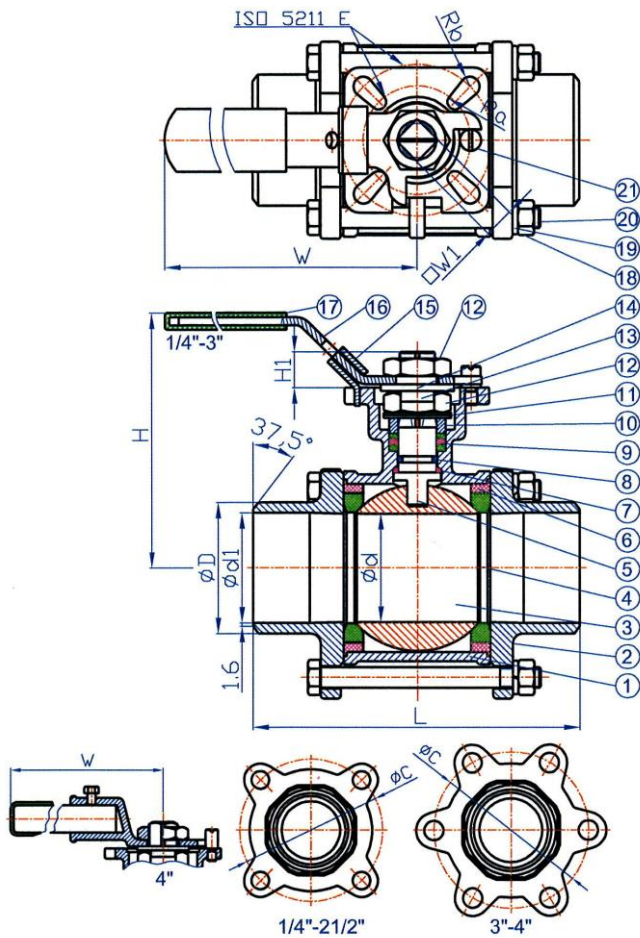


Stainless steel, 3-piece, with weld-on ends – length acc. To DIN 3202-S13.

Housing	Stainless steel 1.4408
Ball	Stainless steel 1.4401
Ball seal	RPTFE (15% glass fibre reinforced)
Stem seal	RPTFE (15% glass fibre reinforced)
Hand lever	Stainless steel 1.4301 with plastic coating
Operating temperature	- 20 °C to 150 °C
Operating pressure:	max. 63 bar (depending on temperature)



391.05

### Ball valves, 3-piece, full bore

Art. No.	Ø D	Ø d1	Ø d (DN)	L	H	W	C	ISO 5211	E	H1	W1	Ra	Rb
391.01	17.0	10.0	11.6	70	74	123	52.0	F03-F04	36-42	9	9	R3	R3
391.02	17.0	12.5	12.7	70	74	123	52.0	F03-F04	36-42	9	9	R3	R3
391.03	21.3	16.0	15.0	75	74	123	52.0	F03-F04	36-42	9	9	R3	R3
391.04	26.7	20.0	20.0	90	78	123	54.5	F03-F04	36-42	9	9	R3	R3
391.05	33.6	25.0	25.0	100	89	153	63.5	F04-F05	42-50	11	11	R3	R3.5
391.06	42.4	33.8	32.0	110	94	153	74.2	F04-F05	42-50	11	11	R3	R3.5
391.07	48.0	39.5	40.0	125	110	183	84.0	F05-F07	50-70	14	14	R3.5	R4.5
391.08	60.5	50.8	50.0	150	118	183	101.0	F05-F07	50-70	14	14	R3.5	R4.5

With ISO flange plate (acc. to ISO 5211)

**MATERIALS LIST:**

NO.	PART NAME	MATERIAL	
		WCB	CF8M
1	BODY	WCB	CF8M
2	CAP	WCB	CF8M
3	BALL	CF8M	
4	SEAT	RPTFE	
5	STEM	SUS316	
6	GASKET	PTFE	
7	THRUST WASHER	15%R+PTFE	
8	O-RING	VITON	
9	PACKING	PTFE	
10	GLAND	SUS304	
11	SPRING WASHER	SUS304	
12	STEM NUT	SUS304	
13	STOP WASHER	SUS304	
14	HANDLE WASHER	SUS304	
15	LOCKING DEVICE	SUS304	
16	HANDLE	SUS304	
17	PLASTIC COVER	PLASTIC (PVC)	
18	HEX NUT	SUS304	
19	BOLT WASHER	SUS304	
20	JOINT BOLT	SUS304	
21	STOP PIN	SUS304	

**Recommended values:**

Temperature	Pressure for size 1/4" to 1"	Pressure for size 1 1/4" to 1 1/2"	Pressure for size 2"
20 °C	70 bar	70 bar	60 bar
60 °C	65 bar	55 bar	40 bar
100 °C	45 bar	35 bar	30 bar
150 °C	7 bar	6 bar	5 bar
180 °C	4 bar	4 bar	4 bar
200 °C	0 bar	0 bar	0 bar

Article No.	Ident No.	Cv factor	Weight
391.01	103455	6	0.664
391.02	103456	7	0.612
391.03	103457	10	0.659
391.04	103458	25	0.802
391.05	103459	35	1.288
391.06	103460	46	1.730
391.07	103461	80	2.470
391.08	103462	110	3.689

